

Mounting instruction Motu

MI-98419000

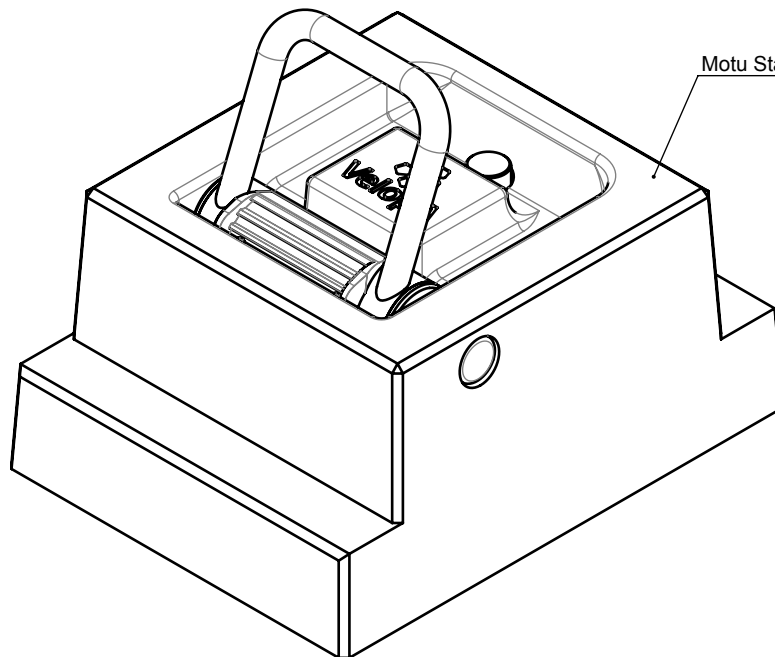
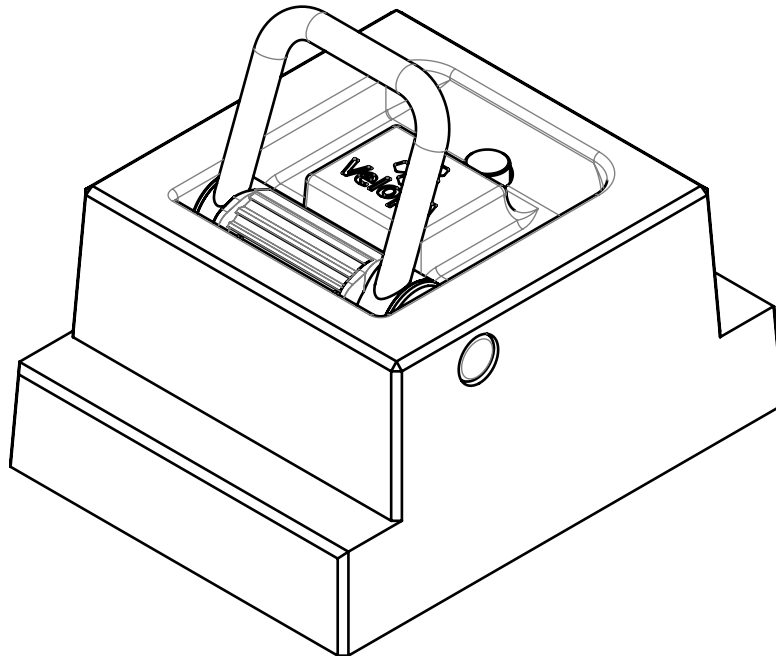
Art.no. 30661100

Motu

cvslombe
26-5-2016 Rev. 00
www.velopa.com



1/2



Motu Stainless steel; art. no. 30661110

Mounting instruction Motu

MI-98419000

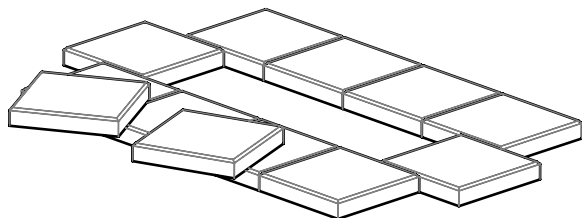
Art.no. 31621000 / 01621000

motu

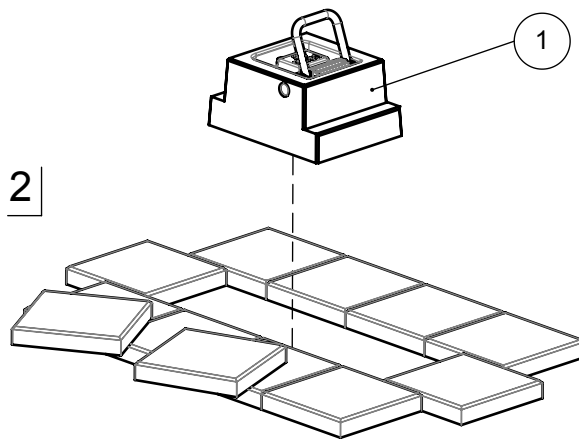
cvslombe
26-5-2016 Rev. 00
www.velopa.com



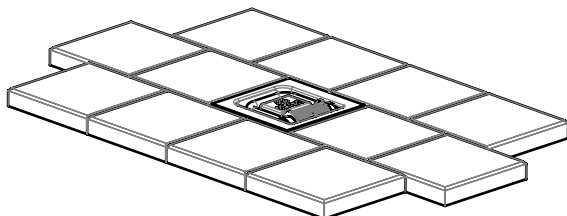
1



2



3



Pos. no.	Qty.	Art.no.				
1	1	30661100		Scooterbeugel - Assemblie	Support de scooter - Assemblage	Roller Halterung - Montage
						Scooter Locking Eye - Assembly