

Mounting instruction E+charger

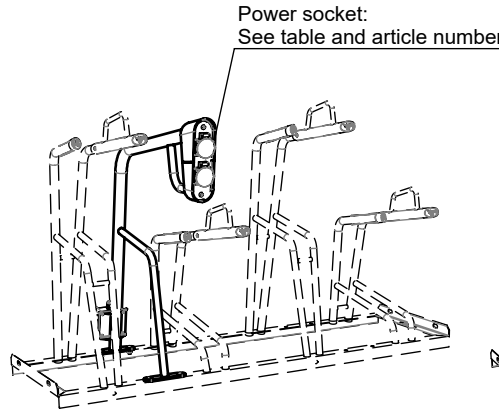


Specifications	
totale lengte/Longueur maximale/maximale Länge/overall length	770mm
totale breedte/largeur maximale/maximale Breite/overall width	144mm
totale hoogte/hauteur maximale/maximale Höhe/overall height	850mm
zwaarste onderdeel/part la plus lourde/schwerstes Teil/heaviest part	pos. 1: ±9kg
grootste onderdeel/part la plus grande/größtes Teil/largest part	pos. 1
montagetijd/temps de montage/Montagezeit/mounting time	0,5h*
mankracht/force musculaire/Arbeitskraft/manpower	1
*: excl. grondwerk/travaux de terrassement excl./ohne Erdarbeiten/groundworks excl.	

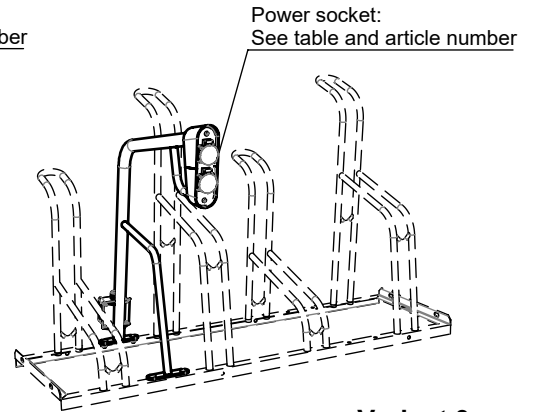
Remarks:

- Only for single sided Fourchet+ and Variant 3 bike parking systems.
- All electric couplings are parallel.
- Connecting the system to the powergrid must be done by a certified electrician.

Installation tube length **	
C-C bike places	Tube length
375 mm	600
400 mm	650
500 mm	850
650 mm	1150
Remark: fit on location	



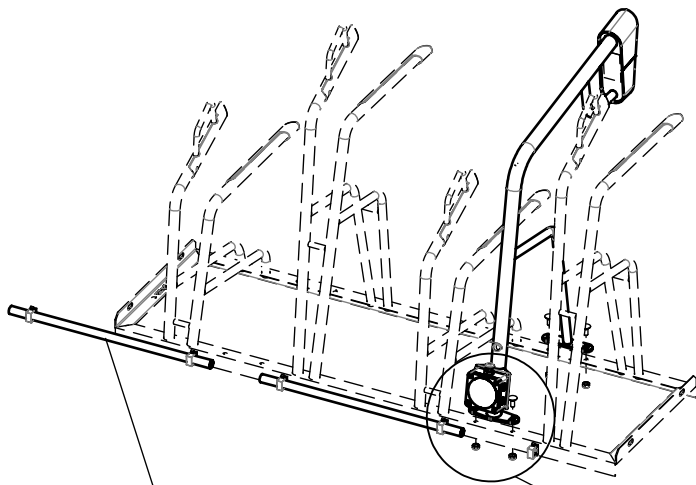
Fourchet+



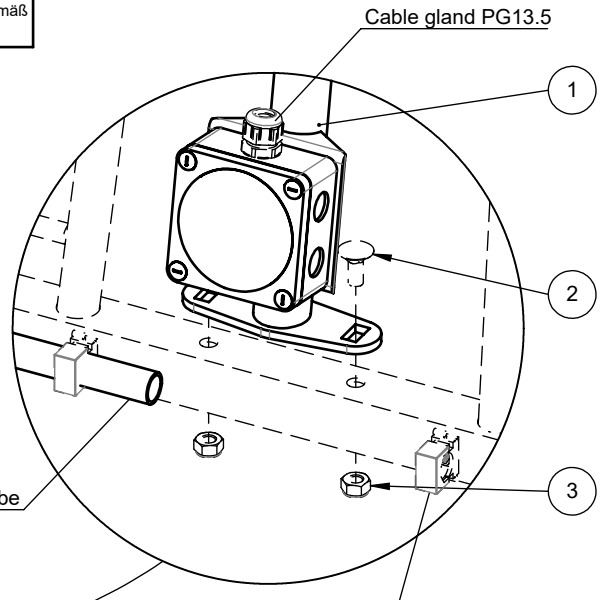
Variant 3

E+Charger beveiliging
Wij adviseren een eigen groep van maximaal 10A (Type J) of 16A (Type E & F) aangevuld met een eigen aardlekschakelaar (RCD), of een 10A / 16A aardlekautomaat (RCBO). De lokale regelgeving is leidend.
E+Charger protection
We recommend a dedicated group of up to 10A (Type J) or 16A (Type E & F) supplemented by a dedicated residual current device (RCD), or a 10A / 16A compact protection device which provide MCB overload protection and RCD earth leakage protection in one device (RCBO). According to local standards.
E+Charger Schutz
Wir empfehlen eine dedizierte Gruppe von bis zu 10A (Typ J) oder 16A (Typ E & F), die durch einen dedizierten Fehlerstromschutzschalter (RCD) oder einen 10A / 16A Fehlerstrom-Leitungsschutzschalter (RCBO) ergänzt wird. Gemäß den örtlichen Normen.

Art.no	Description	Max. AMP	Suggested max amount chargers per single group.
04490914	Charge unit Type J ***	10A↑	3
04490912	Charge unit Type F ***	16A↑	5
04490910	Charge unit Type E ***	16A↑	5
*** refer to sheet 2 for socket information			



44002910 Power cable Nexans 3x2,5mm
Length = 1,3x (number of chargers x tube length)



Pos. no.	Qty.	Art.no.	Remark	Nederlands	Français	Deutsch	English
1	1	See BOM		E+oplaadpunt	E+chargeur	E+Ladegerät	E+charger
2	4	51840030	DIN 603 - M10x25	Slotbout	Boulon col carré	Schloßbolzen	Square necked bolt
3	4	54340000	DIN 985 - M10	Borgmoer	Écrou bloquant	Sicherungsmutter	Torque nut

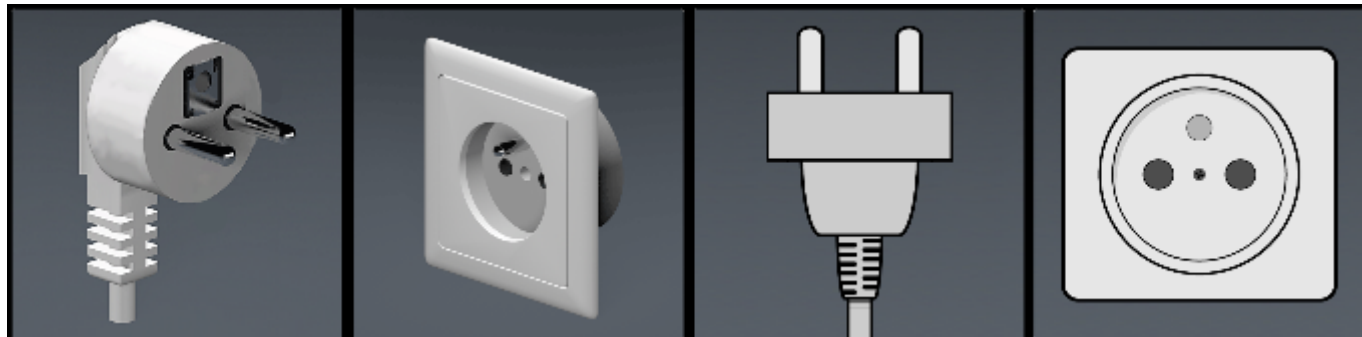
Mounting instruction E+charger

E+oplaadpunt
E+chargeur
E+Ladegerät
E+charger

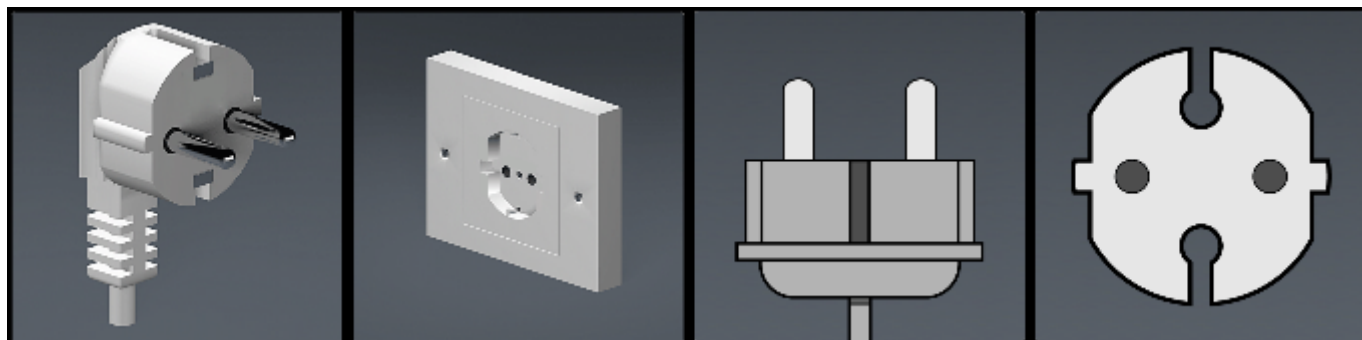
MAL
15-12-2023 Rev. 03
www.velopa.com
2/2



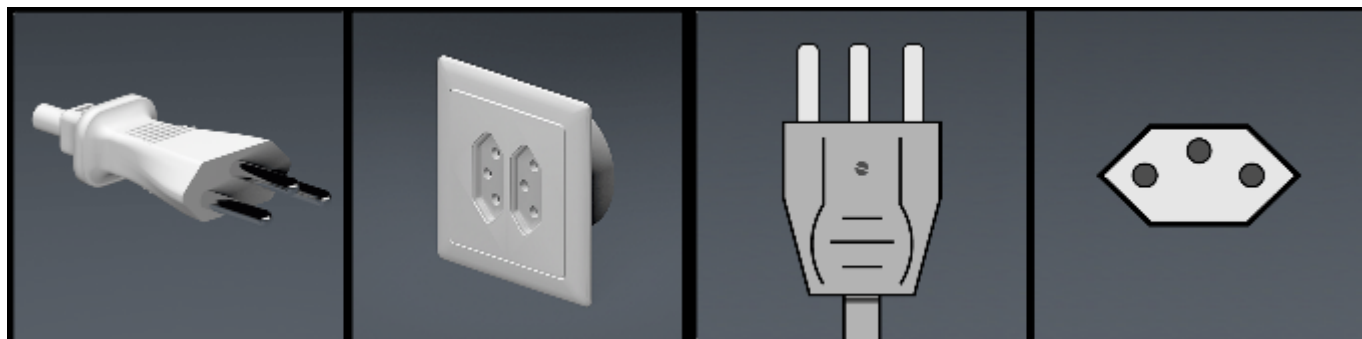
Charge unit **Type E**
Article number **04490912**



Charge unit **Type F**
Article number **04490910**



Charge unit **Type J**
Article number **04490914**



For more information: www.iec.ch/wordplugs