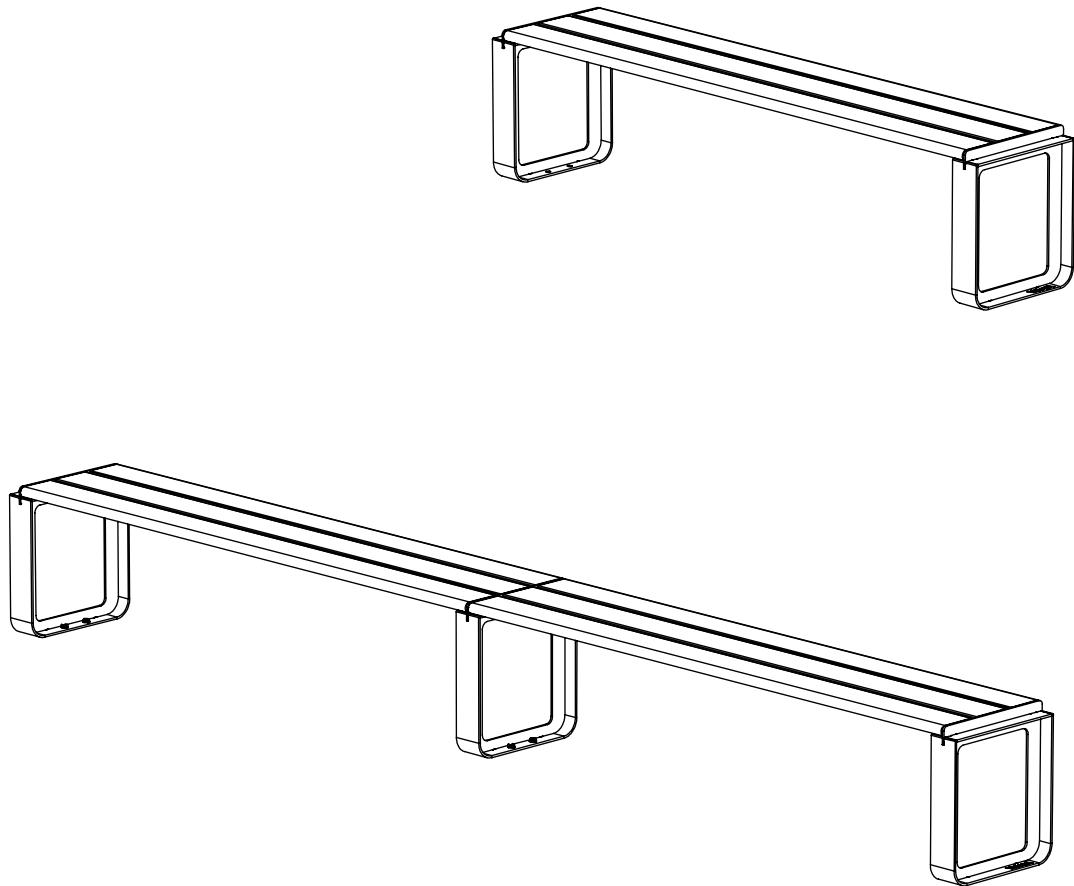
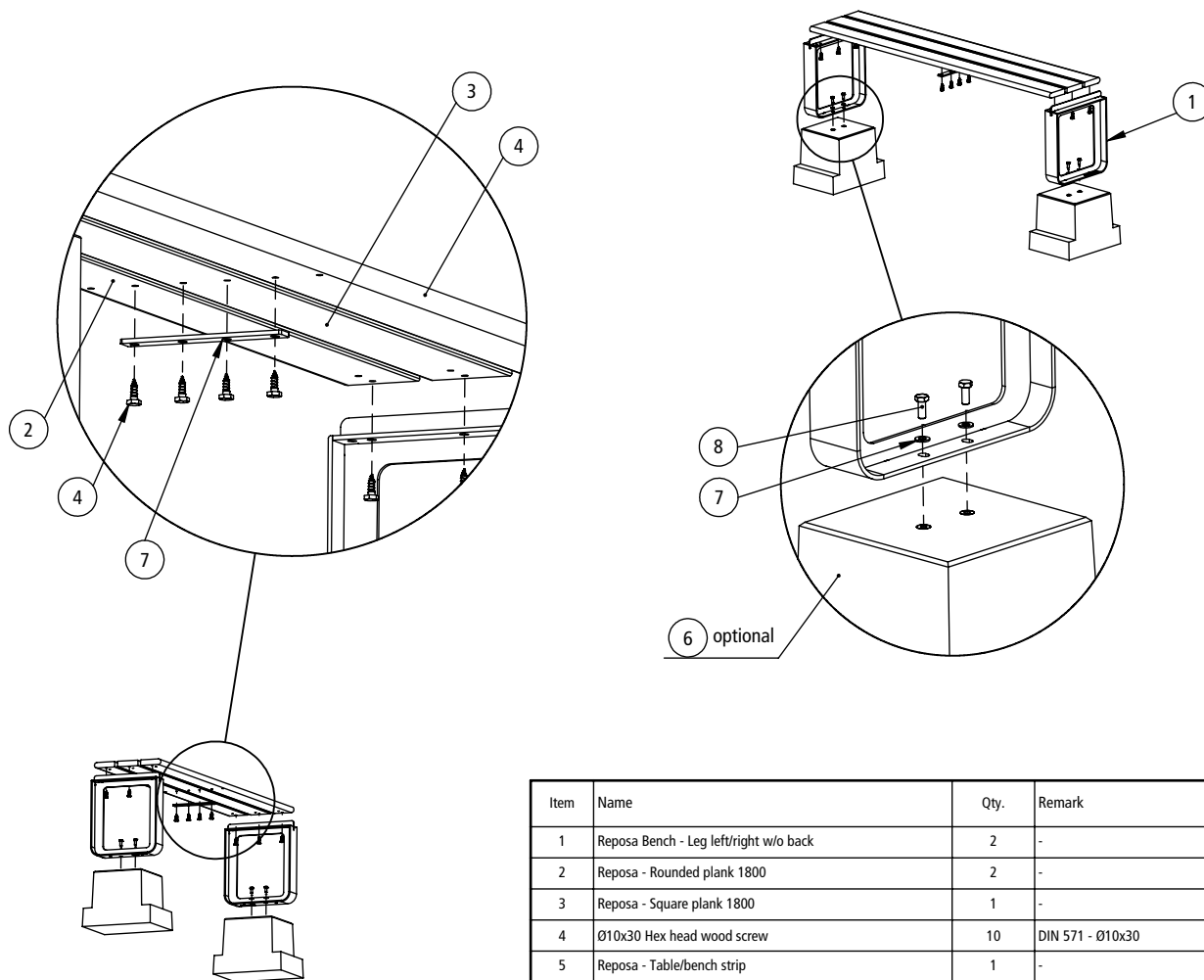
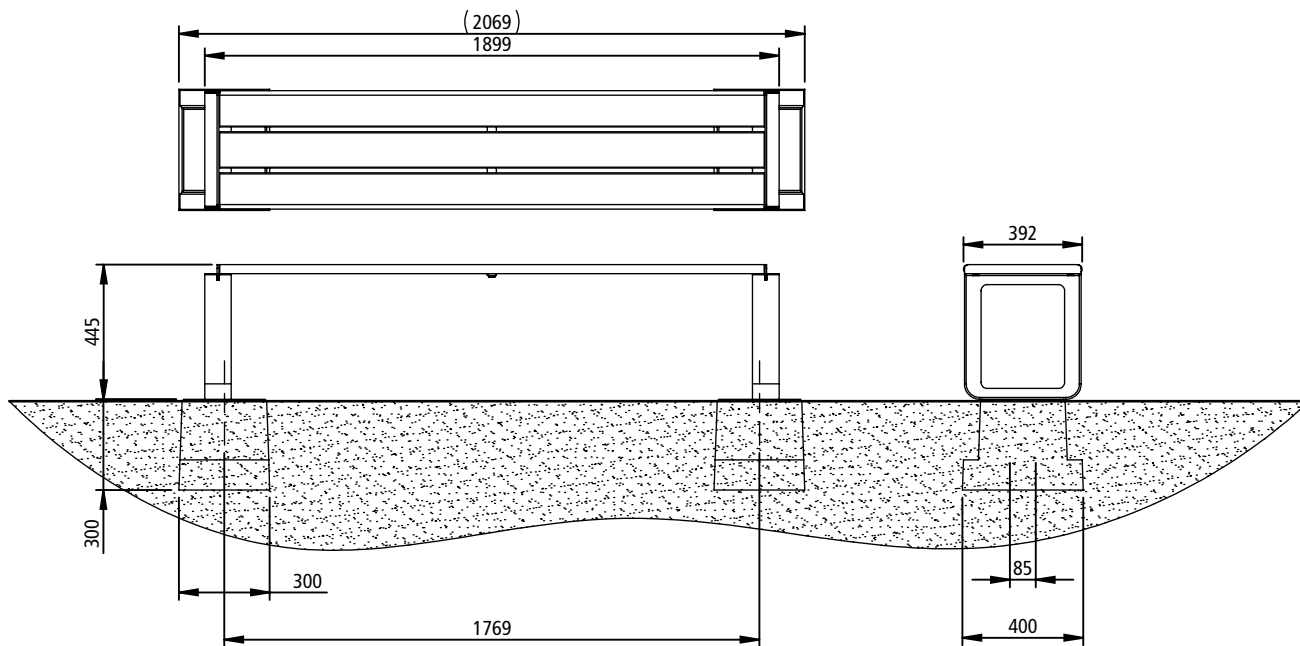


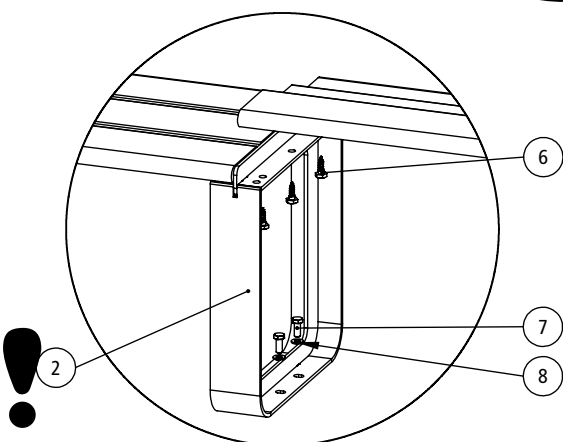
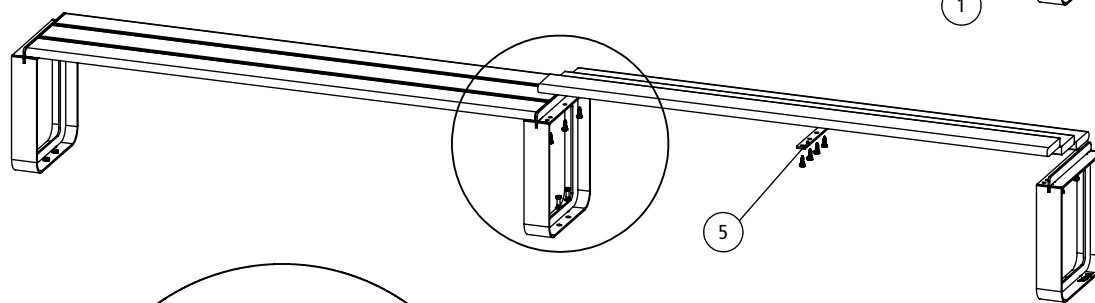
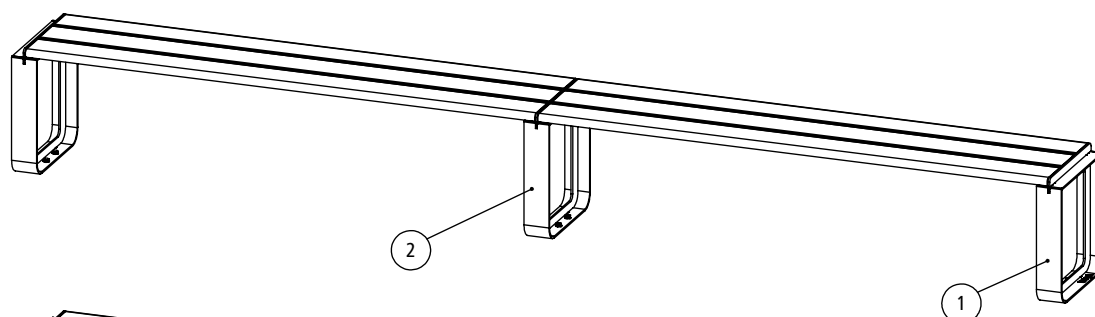
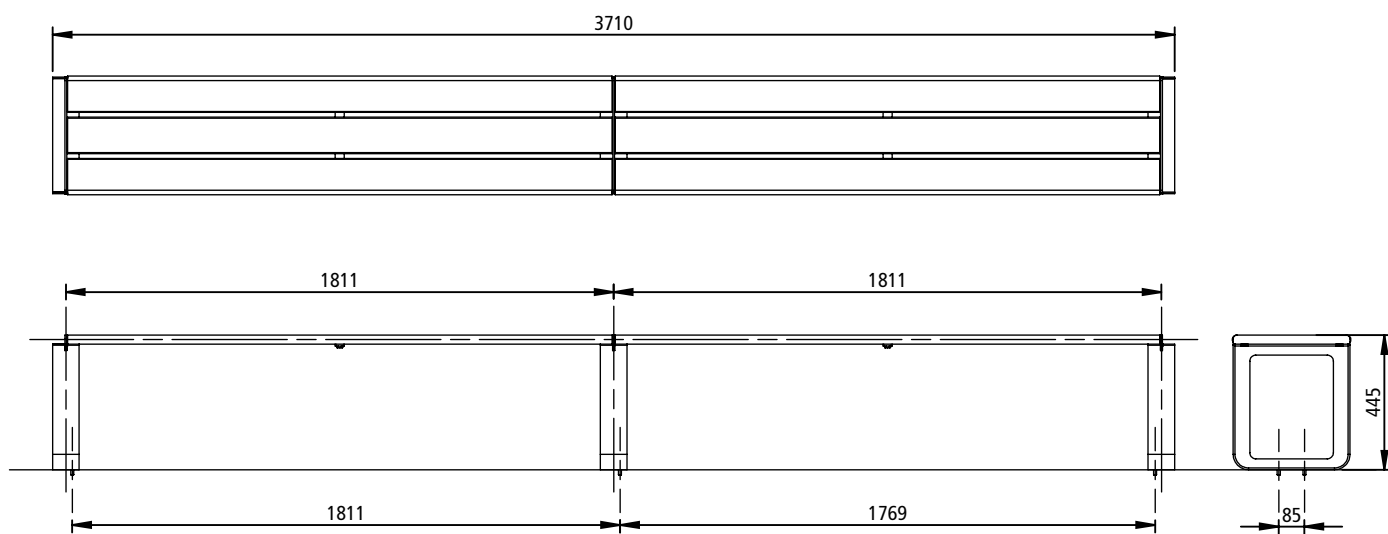
# Reposa bench

steel&bamboo without backrest





Item	Name	Qty.	Remark
1	Reposa Bench - Leg left/right w/o back	2	-
2	Reposa - Rounded plank 1800	2	-
3	Reposa - Square plank 1800	1	-
4	Ø10x30 Hex head wood screw	10	DIN 571 - Ø10x30
5	Reposa - Table/bench strip	1	-
6	Concrete foot with 2 inserts	2	2x M10x60
7	Washer	4	DIN 125 - M10
8	Hex bolt	4	DIN 933 - M10x25



Item	Name	Qty.	Remark
1	Reposa Bench - Leg left/right w/o back	2	-
2	Reposa Bench - Leg middle w/o back	1	-
3	Reposa - Rounded plank 1800	4	-
4	Reposa - Square plank 1800	2	-
5	Reposa - Table/bench strip	2	-
6	Ø10x30 Hex head wood screw	20	DIN 571 - Ø10x30
7	Hex bolt	6	DIN 933 - M10x25
8	Washer	6	DIN 125 - M10